

Nikon

Auto Document Feeder

AF-10

User's Manual

Contents

Introduction

Installing the AF-10

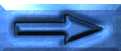
Using the AF-10

 Loading Documents Manually

Troubleshooting

Specifications

Paper Limitations



Cautions

- The reproduction of all or part of this manual without our permission is prohibited.
- The information contained in this manual is subject to change without notice.
- We have made every effort to produce a perfect manual, but should you find any mistakes, we would be grateful if you would kindly let us know.
- We cannot assume any responsibility for consequences resulting from the operation of this product, despite the terms mentioned above.

Federal Communications Commission (FCC) Radio Frequency Interference Statement

This equipment has been tested and found to comply with the limits for a Class B digital device, pursuant to Part 15 of the FCC Rules. These limits are designed to provide reasonable protection against harmful interference in a residential installation. This equipment generates, uses, and can radiate radio frequency energy and, if not installed and used in accordance with the instructions, may cause harmful interference to radio communications. However, there is no guarantee that interference will not occur in a particular installation. If this equipment does cause harmful interference to radio or television reception, which can be determined by turning the equipment off and on, the user is encouraged to try to correct the interference by one or more of the following measures:

- Reorient or relocate the receiving antenna.
- Increase the separation between the equipment and receiver.
- Connect the equipment into an outlet on a circuit different from that to which the receiver is connected.
- Consult the dealer or an experienced radio/TV technician for help.

CAUTION

Modifications

The FCC requires the user to be notified that any changes or modifications made to this device that are not expressly approved by Nikon Corporation may void the user's authority to operate the equipment.

Notice for customers in Canada

CAUTION

This class B digital apparatus meets all requirements of the Canadian Interference Causing Equipment Regulations.

ATTENTION

Cet appareil numérique de la classe B respecte toutes les exigences du Règlement sur le matériel brouilleur du Canada.



Introduction

Thank you for purchasing the Nikon Auto Document Feeder AF-10 for the full-color flatbed scanner ScanTouch 110. This manual describes the procedure for setting up the AF-10 and connecting it to the ScanTouch 110. Please read this manual thoroughly to ensure proper installation and operation of the unit.

For practical procedures on how to scan and reproduce images using the ScanTouch 110 with the Automatic Document Feeder AF-10, please refer to the software manual. We hope that you find this manual helpful.

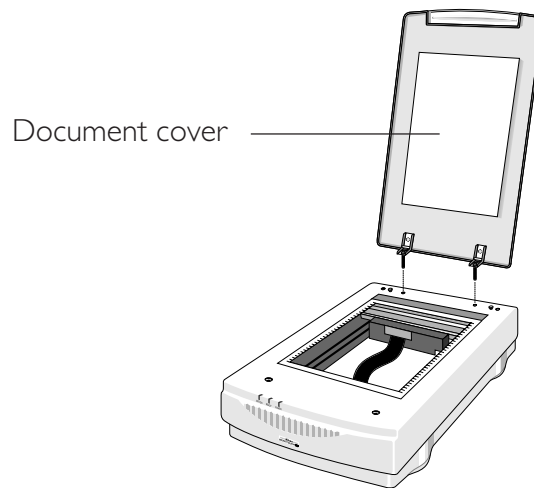
Accessories

The following items are included with your Auto Document Feeder AF-10. On opening the package, if any items are missing, please contact your dealer immediately.

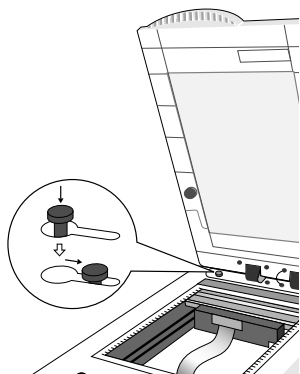
- Auto Document Feeder AF-10 (1)
- Open Me First envelope (1)
- User's Manual (1)

Installing the AF-10

1. Turn off your scanner and unplug its power cord from the AC power outlet.
2. Remove the document cover from the scanner.

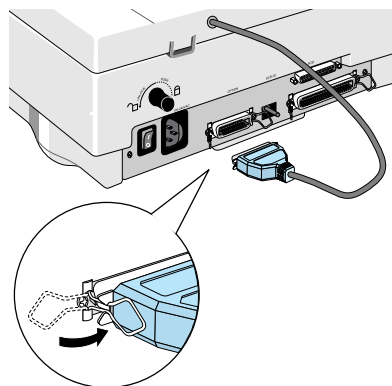


3. Fit the two holes in the hinge plate of the AF-10 over the small supporting posts on the scanner.

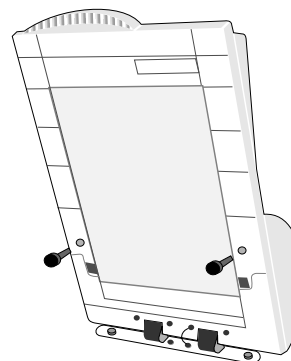


4. Gently slide the AF-10 so that the supporting posts move into the narrow sections of the holes.
5. Attach the AF-10 with the two lockdown screws provided. Insert screws into the center of each hinge bracket and use a coin to tighten the screws securely.
6. Connect the AF-10 interface cable to the connector on the rear panel of the scanner.

7. Plug in the scanner's power cord and turn the power switch on.



Note: When you remove the AF-10, store the two lockdown screws in the holes on the back of the unit, until they are needed again.



Using the AF-10

Begin by removing any document from the document setting glass of the scanner, and then make sure that the AF-10 is closed.

1. Turn the scanner on.
2. Place the documents in the upper tray, face up, as shown.



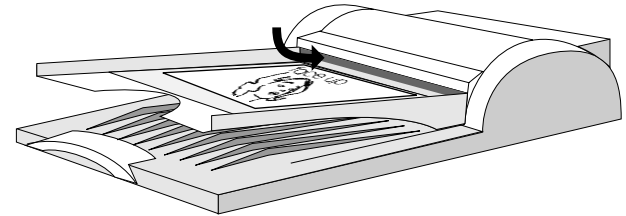
The AF-10 can be loaded with up to 50 sheets (a stack thickness of 6 mm or less) of the following paper sizes:

Check size	3 x 5 inches	(76mm x 127mm)
A5	5.8 x 8.3 inches	(148.5mm x 210mm)
B5	7.2 x 10.1 inches	(182mm x 257mm)
A4	8.3 x 11.7 inches	(210mm x 297mm)
Letter	8.5 x 11 inches	(216mm x 279mm)
Legal	8.5 x 14 inches	(216mm x 356mm)

3. Slide the paper guides on the upper tray towards each other, until they just contact the edges of the document stack.



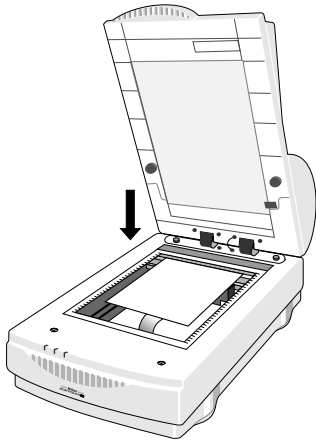
4. After aligning the document stack, insert the documents until you can feel them contact the document-stopper of the AF-10.



Loading Documents Manually

You can still load documents manually, even with the AF-10 installed.

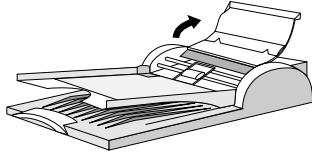
1. Open the front end of the AF-10.
2. Place the document on the document setting glass of the scanner, then lower the AF-10 and initiate the scan.



Troubleshooting

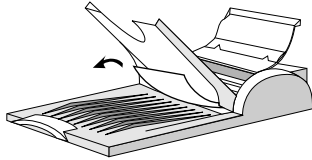
Removing a Jammed Document

1. Raise the cover of the AF-10.



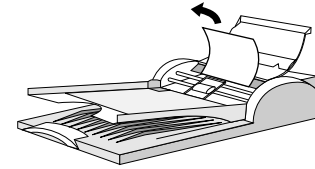
2. (Condition 1)

If the jammed paper is at the exit of the AF-10, lift the upper tray, and slowly pull the jammed paper toward you until it is fully released from the feeder mechanism.

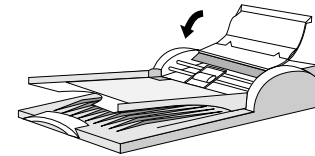


(Condition 2)

If the jammed paper has not yet arrived at the exit of the AF-10, slowly pull the jammed paper backward until it is fully released.

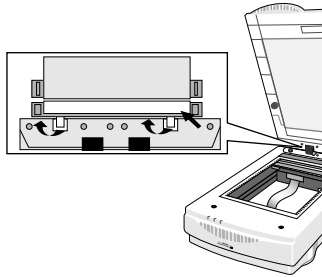


3. After removal of the jammed document, gently close the cover of the AF-10.

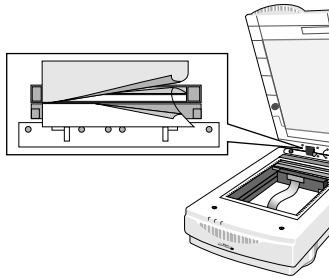


Replacing the Transparent Sheet

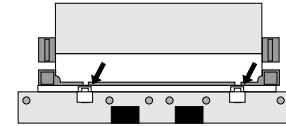
The quality of your scans may degrade overtime. Quite often this is caused by a scratched or dirty Transparent Sheet. You can contact your dealer to purchase a replacement. To replace a worn Transparent Sheet, follow these steps:



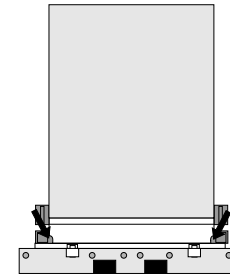
1. Raise the cover of the AF-10.
2. Remove the Transparent Sheet from the AF-10 by pulling the two hooks of the Transparent Sheet toward you, and pushing it up.



3. Insert the transparency edge of the new Transparent Sheet between the paper guide (A or B) of the AF-10, with the white sheet to the lower side.
4. Insert the two hooks of the Transparent Sheet into the AF-10.



5. Push down the two protrusions of the Transparent Sheet as far as they will go.



6. Gently close the cover of the AF-10.

Specifications

Weight: 10.0 lbs (4.5kg)

Dimensions: 12.7 (W) x 20.6 (D) x 4.1 (H) inches
(322 x 524 x 104mm)

Paper capacity: 6mm document stack (50 pages for 0.1t paper)

Operating Environment:

Temperature: 41°F to 95°F (5°C to 35°C)

Humidity: 20 to 85% R.H. (no condensation)

Storage Environment:

Temperature: -4°F to 140°F (-20°C to 60°C)

Humidity: under 95% R.H. (no condensation)

Paper Limitations

Size:

Width: 3.0 to 8.5 inches (76 to 216mm)

Length: 5.0 to 14 inches (127 to 356mm)

Thickness: 0.065 to 0.145 mm

Weight: 50 to 127 g/mm

Paper Quality:

Copy Paper

Document Condition:

Use with ink that will not be transferred to the rollers. Torn, holed, wrinkled, or folded paper, paper with adhesive tape, carbon, or paper clips attached, or paper with wet ink, can cause a paper jam or damage to the AF-10.



EC DECLARATION OF CONFORMITY

We
Name: Nikon UK Limited
Address: Nikon House, 380 Richmond Road, Kingston,
Surrey KT2 5PR, UK

declare that the product
Product Name: Auto Document Feeder AF-10
Manufacturer's Name: Nikon Corporation
Manufacturer's Address: Fuji Bldg., 2-3, Marunouchi 3-chome, Chiyoda-ku, Tokyo 100, Japan

is in conformity with the following Standards
EN55022 Class B
EN50082-1
IEC801-2: 1984 8kV
IEC801-3: 1984 3V/m
IEC801-4: 1988 1kVAC, 0.5kV, I/O
following the provisions of the EMC Directive (89/336/EEC)

DECLARATION DE CONFORMITE DE LA CEE

Nous
Nom: Nikon UK Limited
Adresse: Nikon House, 380 Richmond Road, Kingston,
Surrey KT2 5PR, UK

déclarons que ce produit
Nom du produit: Chargeur Feuille à Feuille AF-10
Nom du fabricant: Nikon Corporation
Adresse du fabricant: Fuji Bldg., 2-3, Marunouchi 3-chome, Chiyoda-ku, Tokyo 100, Japan

est conforme aux normes suivantes
EN55022 Classe B
EN50082-1
IEC801-2: 1984 8kV
IEC801-3: 1984 3V/m
IEC801-4: 1988 1kVAC, 0.5kV, I/O
selon les dispositions de la directive de la CEE (89/336/EEC)

ERKLÄRUNG ÜBER EG-NORMENGERECHTHEIT

Wir
Name: Nikon UK Limited
Anschrift: Nikon House, 380 Richmond Road, Kingston,
Surrey KT2 5PR, UK

erklären hiermit, daß das folgende Produkt
Produktbezeichnung: Automatischer Vorlageneinzug AF-10
Name des Herstellers: Nikon Corporation
Anschrift des Herstellers: Fuji Bldg., 2-3, Marunouchi 3-chome, Chiyoda-ku, Tokyo 100, Japan

den nachstehend aufgeführten Normen genügt:
EN55022 Klasse B
EN50082-1
IEC801-2: 1984 8kV
IEC801-3: 1984 3V/m
IEC801-4: 1988 1kVAC, 0.5kV, I/O
und zwar gemäß den Bestimmungen der EMC-Richtlinie (89/336/EEC)

DECLARACIÓN DE CONFORMIDAD DE LA CEE

Nosotros
Nombre: Nikon UK Limitada
Dirección: Nikon House, 380 Richmond Road, Kingston,
Surrey KT2 5PR, UK

declaramos que este producto
Nombre del producto: Alimentador automático de documentos AF-10
Nombre del fabricante: Nikon Corporation
Dirección del fabricante: Fuji Bldg., 2-3, Marunouchi 3-chome, Chiyoda-ku, Tokyo 100, Japan

es conforme a las normas siguientes
EN55022 Clase B
EN50082-1
IEC801-2: 1984 8kV
IEC801-3: 1984 3V/m
IEC801-4: 1988 1kVCA, 0.5kV E/S
según las disposiciones de la directiva de la CEE (89/336/EEC)

Kingston, UK
Place
Lieu
Ort
Lugar
March 1, 1996
Date
Date
Datum
Fecha


Signature/Managing Director
Signature/Directeur général
Unterschrift/Geschäftsführer
Firma/Director general